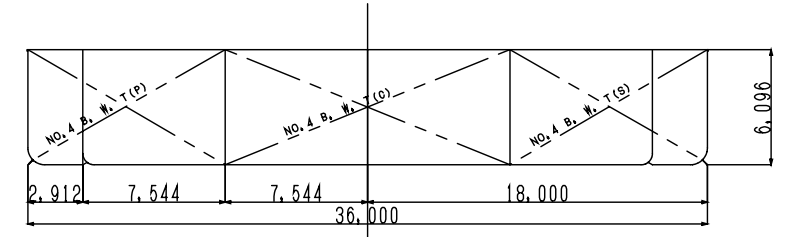
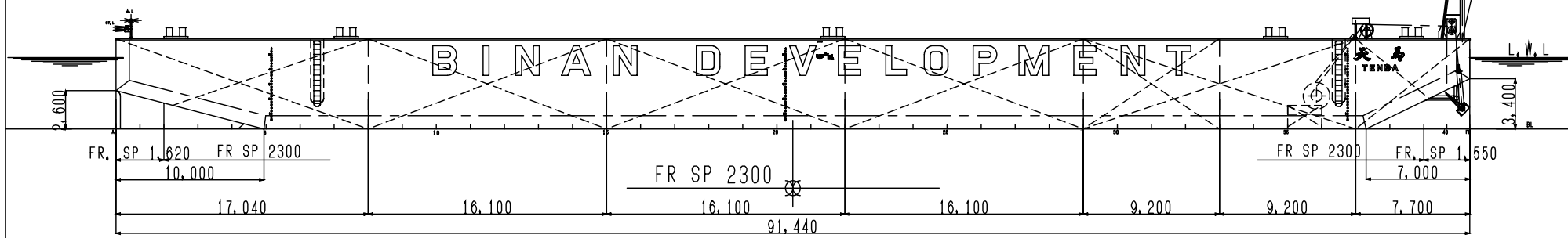
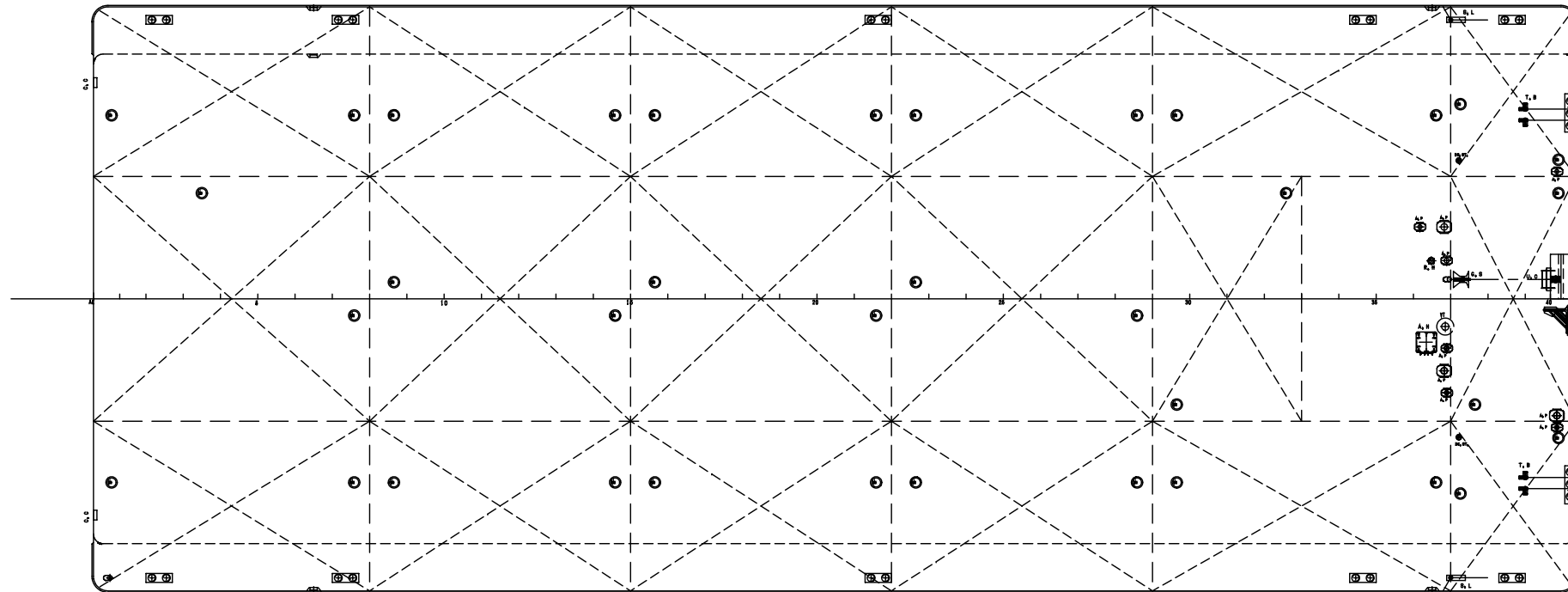


TENBA
GENERAL ARRANGEMENT
SCALE 1:200

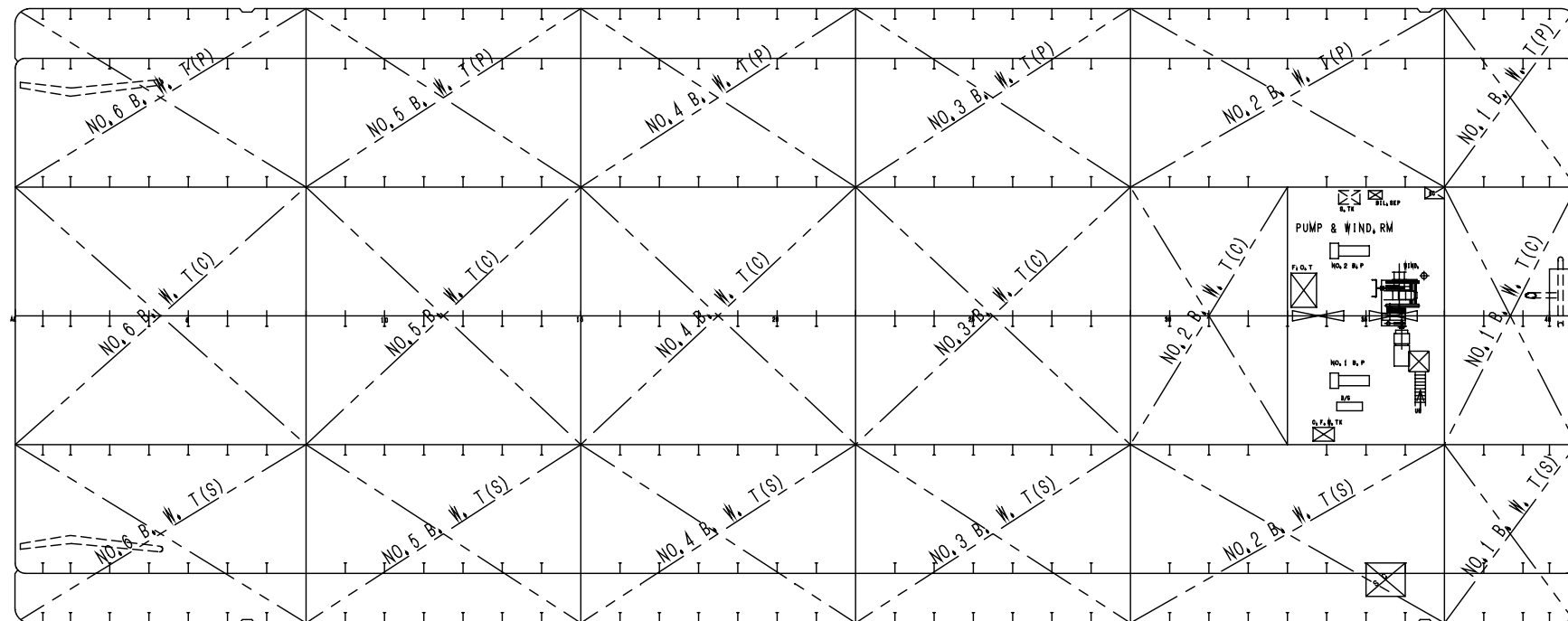


MID. SECT.

MAIN DECK



UNDER MAIN DECK



PRINCIPAL PARTICULAR			
PRINCIPAL DIMENSIONS			
LENGTH (O, A)	91,465m		
LENGTH (P, P)	91,440m		
BREADTH (MOULDED)	36,000m		
DEPTH (MOULDED)	6,096m		
DRAFT (MOULDED)	abt 4,800m		
TONNAGE			
	INTERNATIONAL	SUEZ	PANAMA
GROSS	5470 T		
NET	1641 T		
DEAD WEIGHT	abt 13,000t		
CLASS	NIPPON KAIJI KYOKAI, NS# (BARGE)		

天馬

TITLE 一般配置図



BINAN DEVELOPMENT CO., LTD.